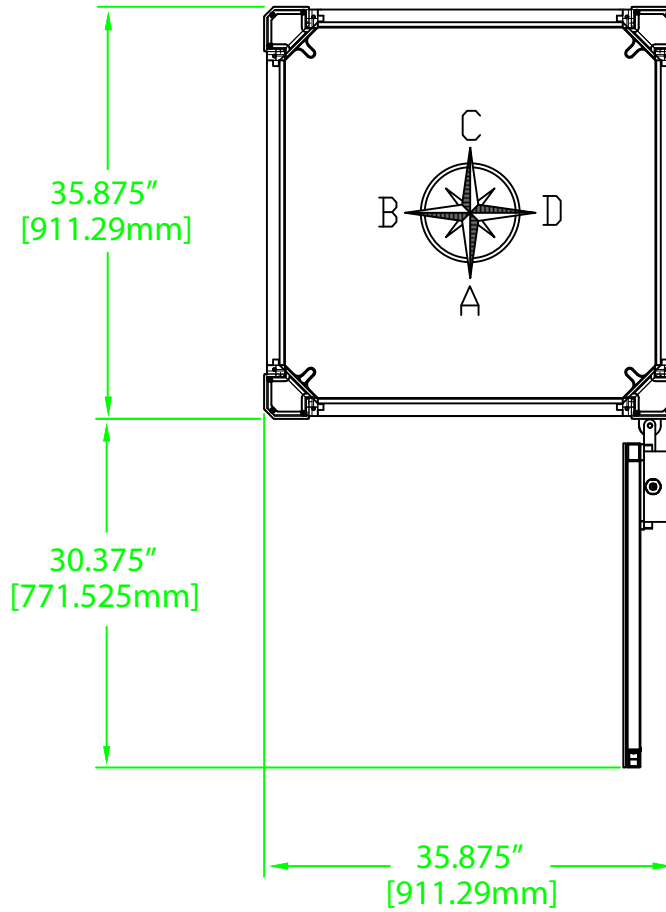



The Cube - Dimensions

Scale 1:1



MAX. OPENING OF DOOR
90 DEGREES

Itemref.	Quantity	Material	Dimensions	Article No./Reference
	SPACE REQUIREMENT FOR MAX DOOR OPENING MODEL The Cube			
	Designed by FR	Scale 1:1	Drawing No. D-C36-H-01	Rev 0