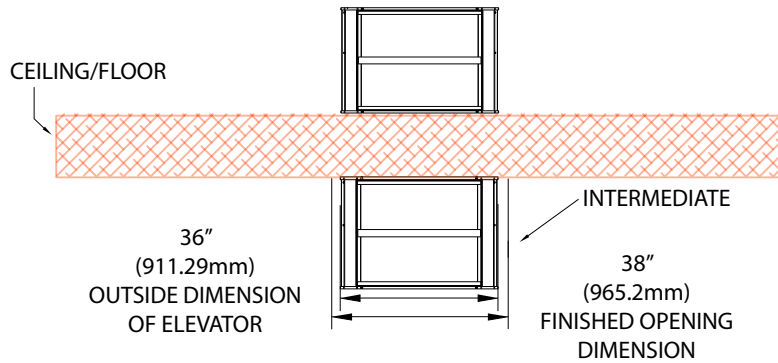
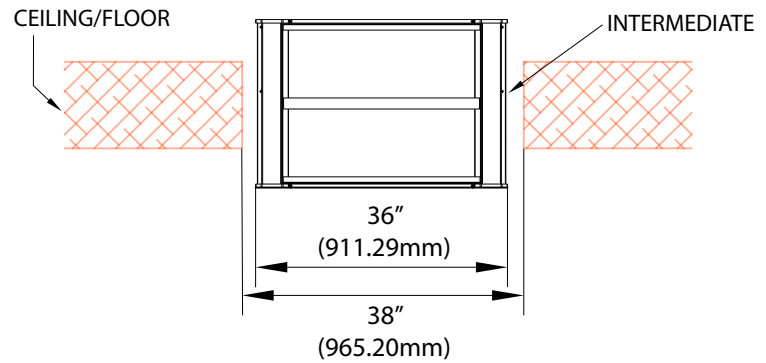


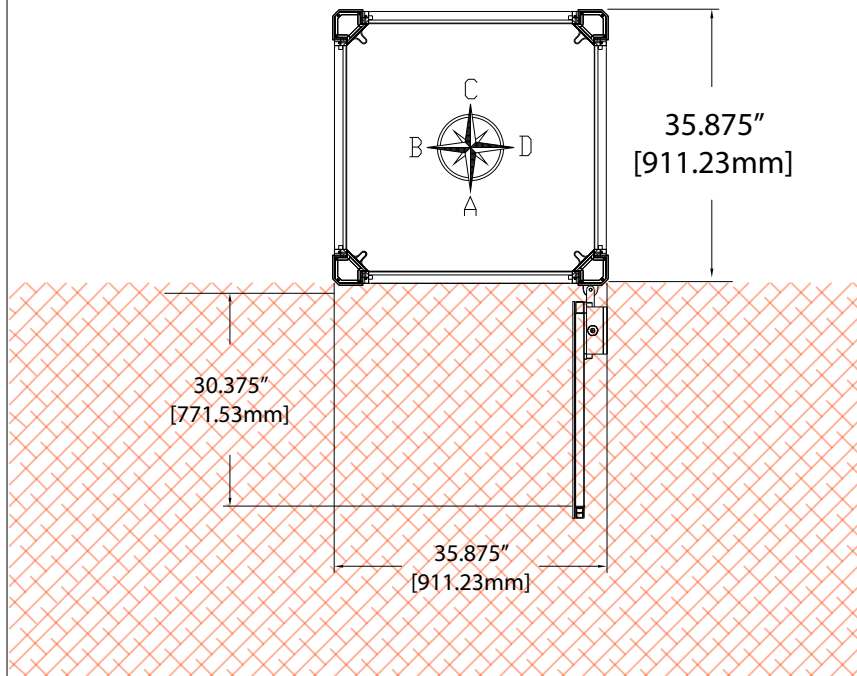
TYPICAL THROUGH FLOOR



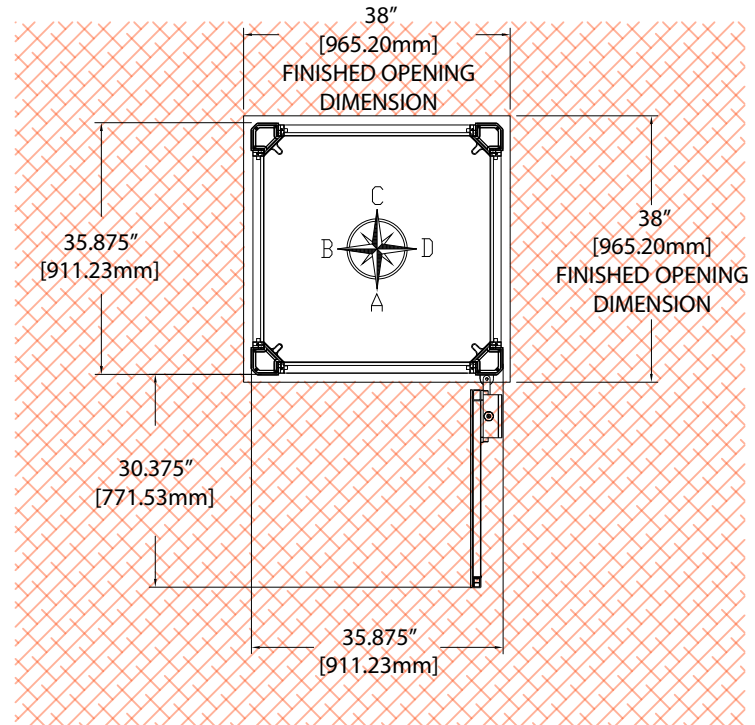
TYPICAL BALCONY MOUNT




EXAMPLE TYPICAL BALCONY INSTALLATION



EXAMPLE TYPICAL THROUGH FLOOR INSTALLATION



Information contained herein is the property of Pneumatic Vacuum Elevators, LLC. No reproduction or disclosure of this information may be made by the recipient to any person or organization without the written consent of Pneumatic Vacuum Elevators, LLC.

Itemref.	Quantity	Material	Dimensions	Article No./Reference
	TYPICAL THROUGH FLOOR AND BALCONY MOUNTED INSTALLATION FOR A 2 & 3 STOP CUBE ELEVATOR			
	Designed by FR	Scale 1:1	Drawing No. D-TYP-MT-01	Rev 1
				Date 10/23/2024