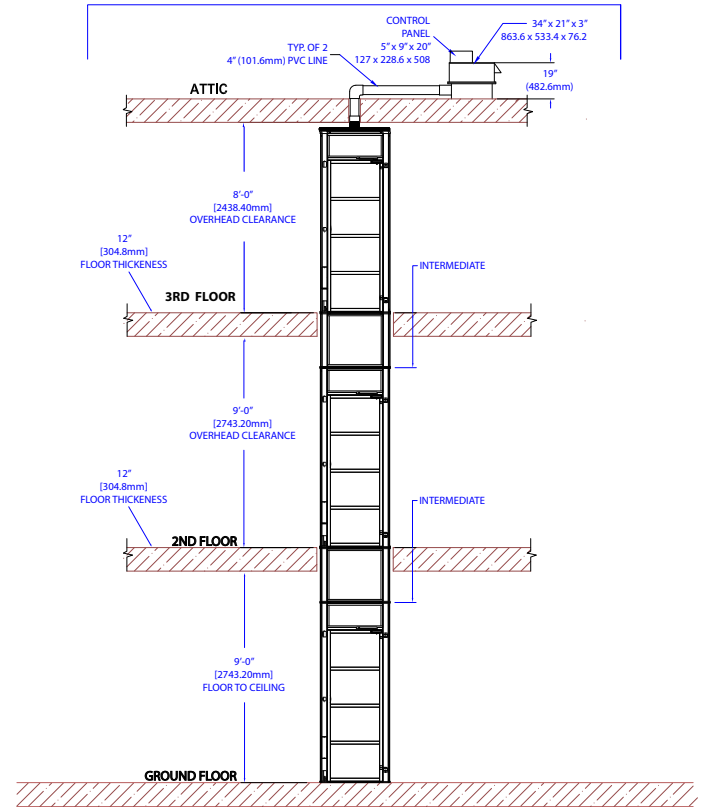
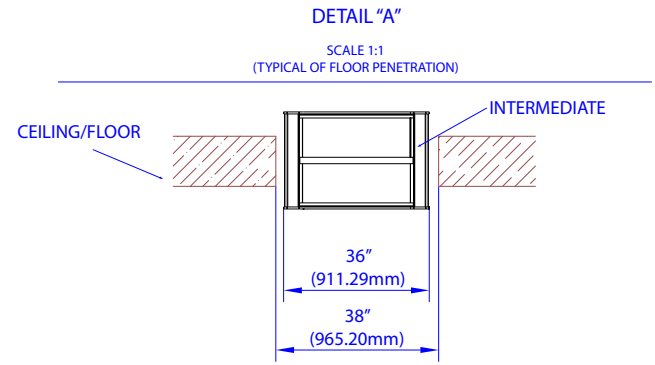
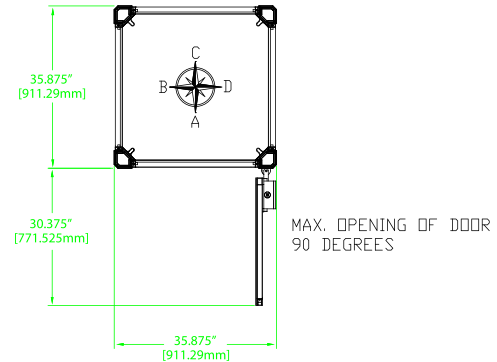



REMOTE LOCATION OF HEAD UNIT



- NOTE:
1. INTERMEDIATE CUBE SECTION IS CUSTOM MADE AS FLOOR THICKNESS MAY VARY FROM HOME TO HOME.
 2. INTERMEDIATE CUBE SECTION IS CUSTOM MADE AS ROOM HEIGHT MAY VARY FROM HOME TO HOME.
 3. MINIMUM ALLOWABLE HEIGHT IS 7'-9".
 4. MINIMUM ALLOWABLE HEIGHT FOR A REMOTE LOCATION INSTALLATION IS 8'.
 5. INTERNAL DIMENSIONS OF CABIN IS 29-1/2" AND THE INTERNAL CABIN HEIGHT IS 6'-5".
 6. CABIN ENTRY WIDTH IS 26-1/2".



Information contained herein is the property of Pneumatic Vacuum Elevators, LLC. No reproduction or disclosure of this information may be made by the recipient to any person or organization without the written consent of Pneumatic Vacuum Elevators, LLC.

Itemref.	Quantity	Material	Dimensions	Article No./Reference
	TYPICAL HOME INSTALLATION FOR A 3 STOP CUBE ELEVATOR			
	Designed by FR	Scale 1:1	Drawing No. D-TYP-H-01	Rev 0 Date 10/22/2024